

## SECTION 4 PARTS LIST

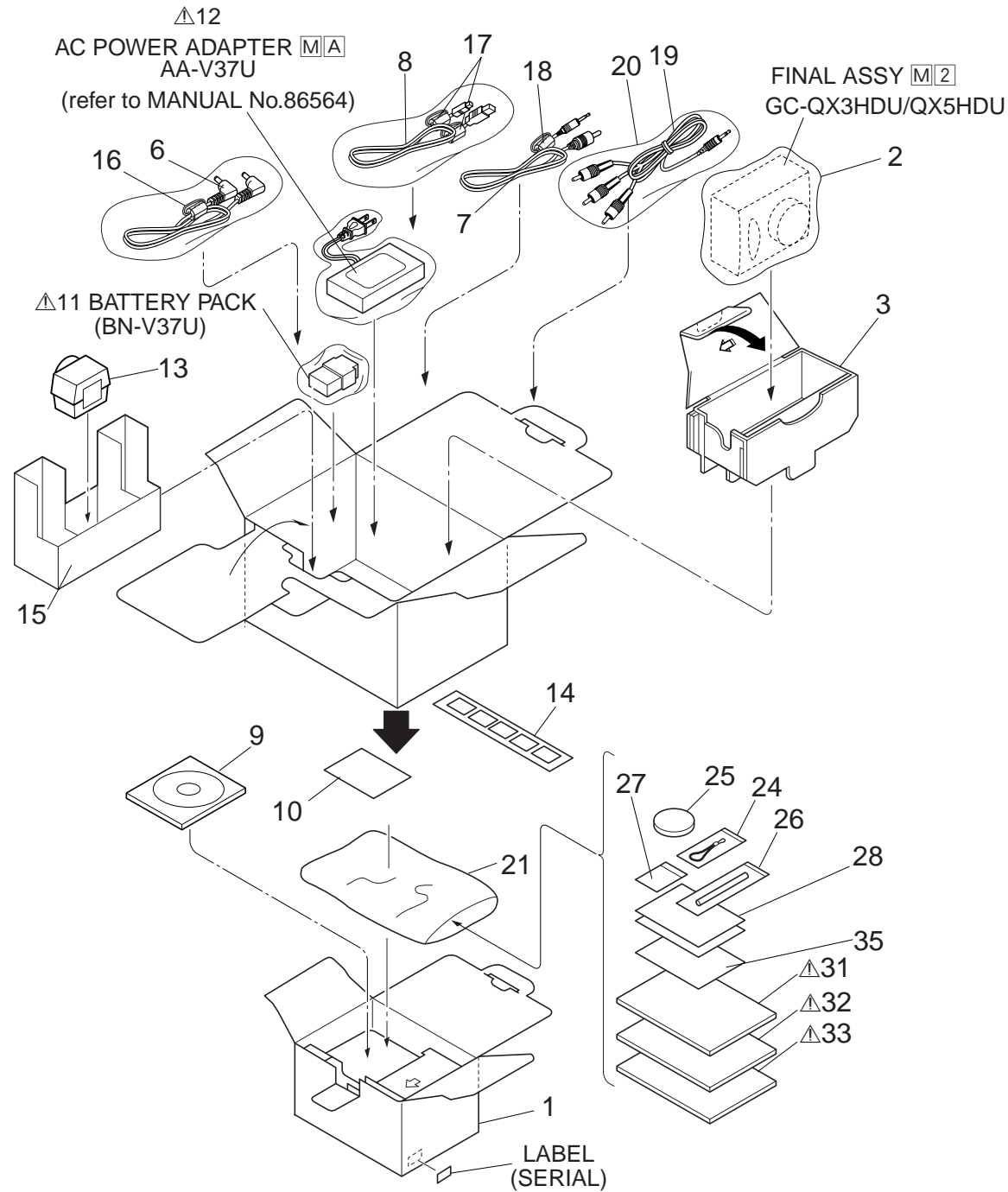
#<sup>△</sup> REF No. PART No. PART NAME, DESCRIPTION  
\*\*\*\*\*

### SAFETY PRECAUTION

Parts identified by the <sup>△</sup> symbol are critical for safety. Replace only with specified part numbers.

#### 4.1 PACKING AND ACCESSORY ASSEMBLY <M1>

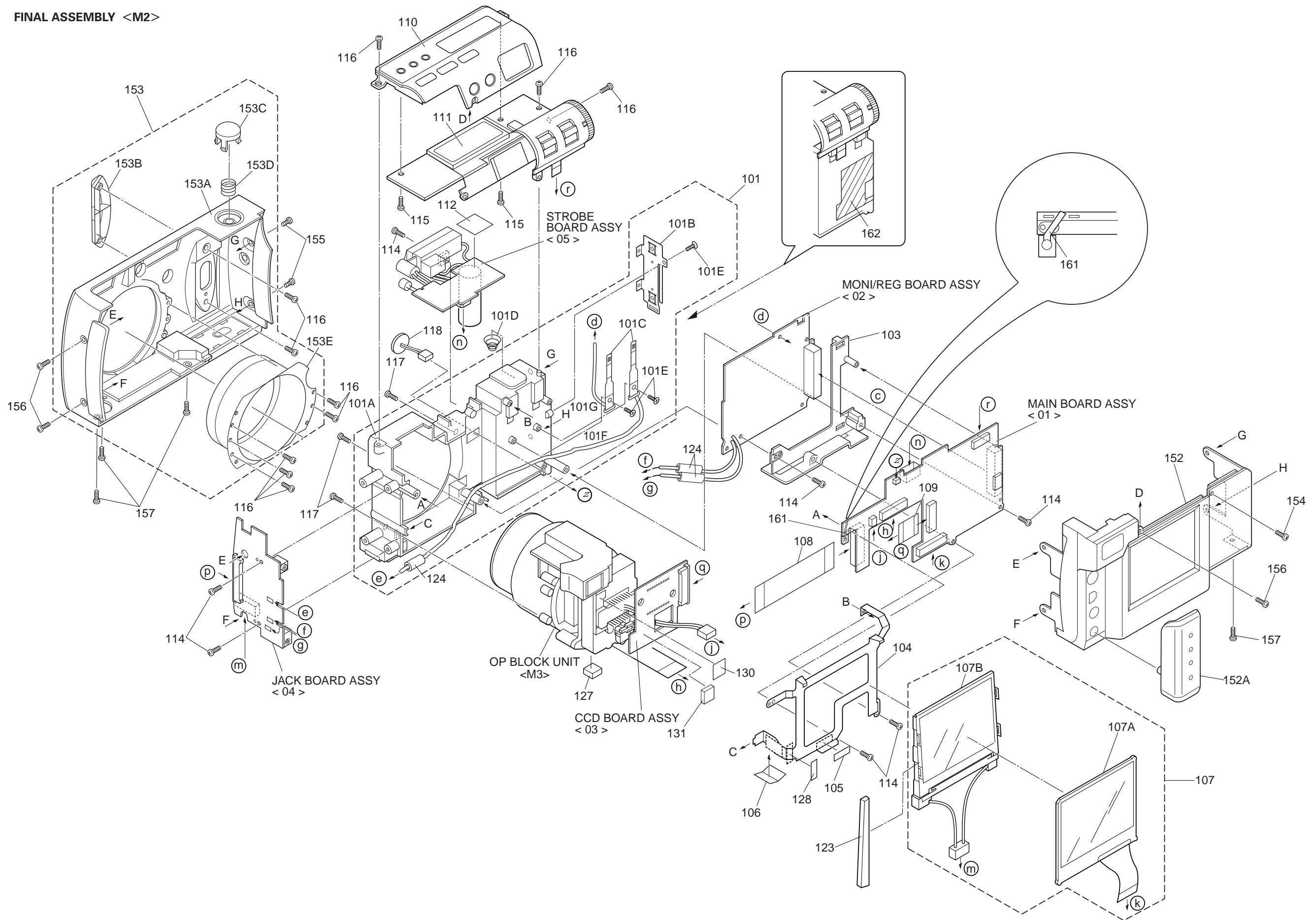
The instruction manual to be provided with this product will differ according to the destination.



#### PACKING AND ACCESSORY ASSEMBLY <M1>

1	LY31465-013A	PACKING CASE, GC-X3HDU
	LY32048-002A	PACKING CASE, GC-X5HDU
2	LY30023-016A	POLY BAG
3	LY31466-001A	CUSHION
6	PEAC0449	DC PLUG CORD
7	PEAC0496	VIDEO CABLE
8	QAM0252-001	USB CABLE
9	LY31133-018A	CD ROM ASSEMBLY
10	BT-51020-2	REGIST.CARD
11	LY31583-002A	BATTERY PACK
12	LY31583-002C	AC POWER ADAPTER
13	LY20867-001A	FILM COPY ADAP., GC-X5HDU
14	LY32047-001A	FILMHOLDER ASSY, GC-X5HDU
15	LY32050-001A	CUSHION(ACC), GC-X5HDU
16	QQR0491-002	CORE FILTER
17	QQR0491-001	CORE FILTER,x2
18	QQR0917-002	CORE FILTER
19	QAM0297-001	CABLE ASSY (AUDIO/VIDEO)
20	QPA01202505	POLY BAG
21	QPA02003006	POLY BAG
24	LY30663-001A	HAND STRAP
25	LY31468-002A	LENS CAP
26	LY42313-001A	STRING
27	LY31737-001A	MEDIA CARD ASSY, GC-X3HDU
	LY31737-002A	MEDIA CARD ASSY, GC-X5HDU
28	BT-51005-4	WARRANTY INF.
<sup>△</sup> 31	LYT0668-001A	INST.BOOK(EN)
<sup>△</sup> 32	LYT0668-002A	INST.BOOK(FR)
<sup>△</sup> 33	LYT0668-003A	INST.BOOK(SP)
35	LYT0668-004B	SHEET

4.3 FINAL ASSEMBLY <M2>



#	REF No.	PART No.	PART NAME, DESCRIPTION	#	REF No.	PART No.	PART NAME, DESCRIPTION
---	---------	----------	------------------------	---	---------	----------	------------------------

\*\*\*\*\*

**CABINET AND CHASSIS ASSEMBLY <M2>**

101	LY31451-001B	FRAME ASSEMBLY
101A	LY20518-001A	FRAME
101B	LY41858-001A	BRACKET(STOPPER)
101C	LY41860-001A	TERMINAL(BATTERY)
101D	LY41861-001A	SPRING(BATTERY)
101E	LY30018-019A	SPECIAL SCREW
101F	QUB221-14A3A8	WIRE,BRN
101G	QUB222-05A3A8	WIRE,RED
103	LY31457-002A	PWB HOLDER ASSEMBLY, GC-QX3HDU
	LY31457-007B	PWB HOLDER ASSEMBLY, GC-QX5HDU
104	LY31467-001A	HOLDER(LCD)
105	LY30029-031A	SPACER(A)
106	LY30016-085A	SPACER-A
107	—	LCD MODULE ASSEMBLY
107A	QLD0131-001	LCD MODULE
107B	QLL0084-001	BACK LIGHT
108	QUQ105-3805AA	FFC WIRE,MAIN-JACK
109	QAL0234-001	FPC,MAIN-CCD
110	LY31460-009A	TOP COVER ASSEMBLY, GC-QX3HDU
	LY31460-008B	TOP COVER ASSEMBLY, GC-QX5HDU
111	LY20521-002D	OPERATION UNIT, GC-QX3HDU
	LY20521-007B	OPERATION UNIT, GC-QX5HDU
112	LY30016-078A	SPACER-A
114	LY30018-060A	SPECIAL SCREW
115	LY30018-010A	SPECIAL SCREW
116	LY30018-023A	SPECIAL SCREW
117	LY30019-025A	SPECIAL SCREW
118	LY31454-001A	MICRPHONE
123	LY30029-067A	SPACER(A)
124	QQR1115-005	FERRITE RING
127	LY30029-081A	SPACER(A)
128	LY30016-068A	SPACER-A
130	LY42890-001A	SHEET
131	LY30029-0C2A	SPACER(A)
152	LY20519-009A	REAR COVER ASSEMBLY, GC-QX3HDU
	LY20519-010A	REAR COVER ASSEMBLY, GC-QX5HDU
152A	LY31456-001A	COVER(JACK)
153	LYH20222-003A	FRONT COVER ASSEMBLY, GC-QX3HDU
	LYH20222-002A	FRONT COVER ASSEMBLY, GC-QX5HDU
153A	LY20516-009A	FRONT COVER, GC-QX3HDU
	LY20516-008A	FRONT COVER, GC-QX5HDU
153B	LY31444-001A	GRIP ASSEMBLY
153C	LY41854-001A	KNOB(SHUTTER)
153D	LY30002-042B	COMPRES. SPRING
153E	LY31446-001B	HOOD
154	LY30018-023A	SPECIAL SCREW
155	LY30018-056A	SPECIAL SCREW
156	LY30018-059A	SPECIAL SCREW
157	LY30018-060A	SPECIAL SCREW
161	LY30029-080A	SPACER(A)
162	LY42439-001B	HEAT SINK

#### 4.4 ELECTRICAL PARTS LIST

#	△ REF No.	PART No.	PART NAME, DESCRIPTION
*****			
<b>MAIN BOARD ASSEMBLY &lt;01&gt;</b>			
PW1		YB10299K-03	MAIN BOARD ASSEMBLY,QX3HDU
		YB10299U-01	MAIN BOARD ASSEMBLY,QX5HDU
IC401		BA10324AF-XE	IC
IC402		UPC358G2/5/-W	IC
IC501		LB1837M	IC
IC502		LB1837M	IC
IC503		TC7S14FU	IC(DIGITAL)
IC504		TC7W74FK	IC
IC2001		HD49326BF	IC
IC2501		BA3308FV	IC
IC2601		AK4550VT	IC
IC3001		JCY0146-2	IC
IC3002		74AHC1G08GW	IC
IC3501		KM416S4030CC-GL	IC
IC3502		KM416S4030CC-GL	IC
IC3503		KM416S4030CC-GL	IC,QX5HDU
IC3504		TC7SH04FU	IC(DIGITAL)
IC4001		JCY0135	IC
IC4005		RS5C314	IC
IC4007		M62367GP	IC
IC4008		IC-PST9327U-X	IC
IC4009		S-814A30AMC-W	IC
IC4015		ML60851CLB	IC
IC4101		IC-PST9327U-X	IC
IC4102		S-80824ANNP-W	IC
IC4103		TC7W32FK	IC
IC4104		TC7W08FK	IC
IC4105		TC7W04FK	IC
IC4106		TC7W08FK	IC
IC4107		TC7W74FK	IC
IC4109		TC7S66FU	IC(DIGITAL)
IC4501		MBV400TC90PBA33	IC(MICRO C ROM)
IC4502		MSM56V16160D1LS	IC
IC5001		JCY0097-3	IC
IC5002		MSM56V16160D1LS	IC
IC5003		TC7SH04FU	IC(DIGITAL)
IC5004		TC7W08FK	IC
IC5005		TC7S66FU	IC(DIGITAL)
IC5006		TC7S66FU	IC(DIGITAL)
IC5007		TC7S66FU	IC(DIGITAL)
IC5008		TC7S04FU	IC(DIGITAL)
IC5009		TC7S08FU	IC(DIGITAL)
IC5501		M32310D5WG	IC
IC5503		MBV400TC90PBM33	IC(MICRO C ROM)
IC5504		TC7S08FU	IC(DIGITAL)
IC6601		TC7WH74FK	IC
Q401		2SC4617/QR/-X	TRANSISTOR
Q402		DTA144EE	TRANSISTOR
Q501		DTC114EE	TRANSISTOR
Q502		DTC114EE	TRANSISTOR
Q503		2SC4617/RS/-X	TRANSISTOR
Q504		2SD2114K/UV/-X	TRANSISTOR
Q2501		2SC4617/QR/-X	TRANSISTOR
Q3001		HN1C01FU/G/-X	PAIR TRANSISTOR
Q3002		HN1C01FU/G/-X	PAIR TRANSISTOR
Q3003		HN1C01FU/G/-X	PAIR TRANSISTOR
Q3004		2SC4617/QR/-X	TRANSISTOR

#	△ REF No.	PART No.	PART NAME, DESCRIPTION
		Q4001	DTA114EE TRANSISTOR
		Q4002	DTA144EE TRANSISTOR
		Q4003	2SA1774/RS/-X TRANSISTOR
		Q4004	RN1104FT TRANSISTOR
		Q4005	DTA114EE TRANSISTOR
		Q4006	2SB970/QRS/-X TRANSISTOR
			or 2SB710/R/-X TRANSISTOR
		Q5501	2SC4617/QR/-X TRANSISTOR
		Q5502	2SA1774/RS/-X TRANSISTOR
		Q5503	2SA1774/RS/-X TRANSISTOR
		Q5504	HN1C01FU/G/-X PAIR TRANSISTOR
		Q5505	2SC4617/QR/-X TRANSISTOR
		Q6605	UN9211J TRANSISTOR
		Q6607	UN911HJ TRANSISTOR
		Q6609	DTC144EE TRANSISTOR
		Q6610	UMS1N PAIR TRANSISTOR
		Q6611	2SC4617/RS/-X TRANSISTOR
		Q6612	UMS1N PAIR TRANSISTOR
		Q6613	2SA1774/RS/-X TRANSISTOR
		Q6614	XP1211 TRANSISTOR
		D501	1SS355 DIODE
		D4002	TLSU1002/LM/-X LE DIODE
		D4004	TLGU1002/KL/-X LE DIODE
	△	D4005	MA716 DIODE
		D4101	MA704 SB DIODE
		R405	NRSA6AJ-105W MG RESISTOR 1MΩ, 1/16W
		R407	NRSA6AJ-105W MG RESISTOR 1MΩ, 1/16W
		R408	NRSA6AJ-103W MG RESISTOR 10kΩ, 1/16W
		R409	NRSA6AJ-104W MG RESISTOR 100kΩ, 1/16W
		R410	NRSA6AJ-243W MG RESISTOR 24kΩ, 1/16W
		R411	NRSA6AJ-103W MG RESISTOR 10kΩ, 1/16W
		R413	NRSA6AJ-472W MG RESISTOR 4.7kΩ, 1/16W
		R414	NRSA6AJ-473W MG RESISTOR 47kΩ, 1/16W
		R415	NRSA6AJ-103W MG RESISTOR 10kΩ, 1/16W
		R416	NRSA6AJ-391W MG RESISTOR 390Ω, 1/16W
		R417	NRSA6AJ-472W MG RESISTOR 4.7kΩ, 1/16W
		R418	NRSA6AJ-0ROW MG RESISTOR 0Ω, 1/16W
		R419	NRSA6AJ-104W MG RESISTOR 100kΩ, 1/16W
		R420	NRSA6AJ-683W MG RESISTOR 68kΩ, 1/16W
		R421	NRSA6AJ-822W MG RESISTOR 8.2kΩ, 1/16W
		R422	NRSA6AJ-102W MG RESISTOR 1kΩ, 1/16W
		R423	NRSA6AJ-334W MG RESISTOR 330kΩ, 1/16W
		R424	NRSA6AJ-104W MG RESISTOR 100kΩ, 1/16W
		R425	NRSA6AJ-102W MG RESISTOR 1kΩ, 1/16W
		R426	NRSA6AJ-184W MG RESISTOR 180kΩ, 1/16W
		R427	NRSA6AJ-333W MG RESISTOR 33kΩ, 1/16W
		R428	NRSA6AJ-223W MG RESISTOR 22kΩ, 1/16W
		R502	NRSA6AJ-103W MG RESISTOR 10kΩ, 1/16W
		R505	NRSA6AJ-513W MG RESISTOR 51kΩ, 1/16W
		R506	NRSA6AJ-303W MG RESISTOR 30kΩ, 1/16W
		R507	NRSA6AJ-103W MG RESISTOR 10kΩ, 1/16W
		R510	NRSA6AJ-223W MG RESISTOR 22kΩ, 1/16W
		R511	NRSA6AJ-223W MG RESISTOR 22kΩ, 1/16W
		R512	NRSA6AJ-0ROW MG RESISTOR 0Ω, 1/16W
		R513	NRSA6AJ-271W MG RESISTOR 270Ω, 1/16W
		R514	NRSA6AJ-333W MG RESISTOR 33kΩ, 1/16W
		R515	NRSA6AJ-333W MG RESISTOR 33kΩ, 1/16W
		R516	NRSA6AJ-271W MG RESISTOR 270Ω, 1/16W
		R517	NRSA6AJ-0ROW MG RESISTOR 0Ω, 1/16W
		R518	NRSA6AJ-0ROW MG RESISTOR 0Ω, 1/16W
		R519	NRSA6AJ-103W MG RESISTOR 10kΩ, 1/16W

#	△	REF No.	PART No.	PART NAME, DESCRIPTION	#	△	REF No.	PART No.	PART NAME, DESCRIPTION
R520			NRSA6AJ-223W	MG RESISTOR	R3054			NRSA6AJ-0R0W	MG RESISTOR
R2001			NRSA6AJ-100W	MG RESISTOR	R3055			NRSA6AD-471W	MG RESISTOR
R2002			NRSA6AJ-100W	MG RESISTOR	R3056			NRSA6AD-471W	MG RESISTOR
R2003			NRSA6AJ-243W	MG RESISTOR	R3057			NRSA6AJ-0R0W	MG RESISTOR
R2004			NRSA6AJ-220W	MG RESISTOR	R3058			NRSA6AJ-0R0W	MG RESISTOR
R2008			NRSA6AJ-0R0W	MG RESISTOR	R3059			NRSA6AJ-122W	MG RESISTOR
R2009			NRSA6AJ-0R0W	MG RESISTOR	R3060			NRSA6AJ-122W	MG RESISTOR
R2012			NRSA6AJ-0R0W	MG RESISTOR	R3072			NRSA6AJ-0R0W	MG RESISTOR
R2013			NRSA6AJ-0R0W	MG RESISTOR	R3073			NRSA6AJ-0R0W	MG RESISTOR
R2016			NRSA6AJ-0R0W	MG RESISTOR	R3074			NRSA6AJ-0R0W	MG RESISTOR
R2017			NRSA6AJ-0R0W	MG RESISTOR	R3076			NRSA6AJ-0R0W	MG RESISTOR
R2501			NRSA6AJ-101W	MG RESISTOR	R3077			NRSA6AJ-0R0W	MG RESISTOR
R2502			NRSA6AJ-101W	MG RESISTOR	R3078			NRSA6AJ-0R0W	MG RESISTOR
R2503			NRSA6AJ-101W	MG RESISTOR	R3115			NRSA6AJ-0R0W	MG RESISTOR
R2504			NRSA6AJ-563W	MG RESISTOR	R3116			NRSA6AJ-0R0W	MG RESISTOR
R2505			NRSA6AJ-101W	MG RESISTOR	R3118			NRSA6AJ-0R0W	MG RESISTOR
R2506			NRSA6AJ-181W	MG RESISTOR	R3119			NRSA6AJ-0R0W	MG RESISTOR
R2507			NRSA6AJ-101W	MG RESISTOR	R3120			NRSA6AJ-220W	MG RESISTOR
R2508			NRSA6AJ-103W	MG RESISTOR	R3121			NRSA6AJ-680W	MG RESISTOR
R2509			NRSA6AJ-105W	MG RESISTOR	R3122			NRSA6AJ-680W	MG RESISTOR
R2510			NRSA6AJ-222W	MG RESISTOR	R3123			NRSA6AJ-0R0W	MG RESISTOR
R2512			NRSA6AJ-102W	MG RESISTOR	R3124			NRSA6AJ-680W	MG RESISTOR
R2602			NRSA6AJ-681W	MG RESISTOR	R3125			NRSA6AJ-680W	MG RESISTOR
R2603			NRSA6AJ-0R0W	MG RESISTOR	R3126			NRSA6AJ-680W	MG RESISTOR
R2604			NRSA6AJ-104W	MG RESISTOR	R3127			NRSA6AJ-680W	MG RESISTOR
R2605			NRSA6AJ-104W	MG RESISTOR	R3128			NRSA6AJ-220W	MG RESISTOR
R2606			NRSA6AJ-0R0W	MG RESISTOR	R3129			NRSA6AJ-220W	MG RESISTOR
R2609			NRSA6AJ-0R0W	MG RESISTOR	R3131			NRSA6AJ-0R0W	MG RESISTOR
R2610			NRSA6AJ-152W	MG RESISTOR	R3176			NRSA6AJ-101W	MG RESISTOR
R3002			NRSA6AJ-0R0W	MG RESISTOR	R3177			NRSA6AJ-101W	MG RESISTOR
R3003			NRSA6AJ-0R0W	MG RESISTOR	R3178			NRSA6AD-101W	MG RESISTOR
R3007			NRSA6AJ-103W	MG RESISTOR	R3182			NRSA6AJ-0R0W	MG RESISTOR
R3008			NRSA6AJ-103W	MG RESISTOR	R3183			NRSA6AJ-0R0W	MG RESISTOR
R3009			NRSA6AJ-103W	MG RESISTOR	R3184			NRSA6AJ-0R0W	MG RESISTOR
R3010			NRSA6AJ-103W	MG RESISTOR	R3198			NRSA6AJ-0R0W	MG RESISTOR
R3011			NRSA6AJ-103W	MG RESISTOR	R3199			NRSA6AJ-0R0W	MG RESISTOR
R3012			NRSA6AJ-103W	MG RESISTOR	R3200			NRSA6AJ-0R0W	MG RESISTOR
R3013			NRSA6AJ-332W	MG RESISTOR	R3201			NRSA6AJ-0R0W	MG RESISTOR
R3014			NRSA6AJ-103W	MG RESISTOR	R3202			NRSA6AJ-0R0W	MG RESISTOR
R3015			NRSA6AJ-103W	MG RESISTOR	R3203			NRSA6AJ-0R0W	MG RESISTOR
R3016			NRSA6AJ-103W	MG RESISTOR	R3204			NRSA6AJ-0R0W	MG RESISTOR
R3017			NRSA6AJ-103W	MG RESISTOR	R3205			NRSA6AJ-0R0W	MG RESISTOR
R3018			NRSA6AJ-103W	MG RESISTOR	R3206			NRSA6AJ-0R0W	MG RESISTOR
R3019			NRSA6AJ-103W	MG RESISTOR	R3207			NRSA6AJ-0R0W	MG RESISTOR
R3020			NRSA6AJ-103W	MG RESISTOR	R3249			NRSA6AD-153W	MG RESISTOR
R3021			NRSA6AJ-103W	MG RESISTOR	R3250			NRSA6AD-123W	MG RESISTOR
R3022			NRSA6AJ-103W	MG RESISTOR	R3272			NRSA6AD-123W	MG RESISTOR
R3023			NRSA6AJ-103W	MG RESISTOR	R3273			NRSA6AD-123W	MG RESISTOR
R3024			NRSA6AJ-473W	MG RESISTOR	R3295			NRSA6AJ-272W	MG RESISTOR
R3025			NRSA6AJ-100W	MG RESISTOR	R3296			NRSA6AJ-272W	MG RESISTOR
R3042			NRSA6AJ-103W	MG RESISTOR	R3297			NRSA6AJ-103W	MG RESISTOR
R3043			NRSA6AJ-103W	MG RESISTOR	R3503			NRSA6AJ-473W	MG RESISTOR
R3044			NRSA6AJ-103W	MG RESISTOR	R3504			NRSA6AJ-0R0W	MG RESISTOR
R3045			NRSA6AJ-0R0W	MG RESISTOR	R3505			NRSA6AJ-0R0W	MG RESISTOR
R3047			NRSA6AJ-0R0W	MG RESISTOR	R3506			NRSA6AJ-0R0W	MG RESISTOR
R3048			NRSA6AD-471W	MG RESISTOR	R3507			NRSA6AJ-0R0W	MG RESISTOR
R3049			NRSA6AD-472W	MG RESISTOR	R3508			NRSA6AJ-0R0W	MG RESISTOR
R3050			NRSA6AD-272W	MG RESISTOR	R4001			NRSA6AJ-103W	MG RESISTOR
R3051			NRSA6AJ-0R0W	MG RESISTOR	R4002			NRSA6AJ-0R0W	MG RESISTOR
R3052			NRSA6AJ-122W	MG RESISTOR	R4008			NRSA6AJ-0R0W	MG RESISTOR
R3053			NRSA6AJ-0R0W	MG RESISTOR	R4009			NRSA6AJ-0R0W	MG RESISTOR

#	△ REF No.	PART No.	PART NAME, DESCRIPTION	#	△ REF No.	PART No.	PART NAME, DESCRIPTION
R4010		NRSA6AJ-0R0W	MG RESISTOR 0Ω,1/16W	R4081		NRSA6AJ-103W	MG RESISTOR 10kΩ,1/16W
R4011		NRSA6AJ-103W	MG RESISTOR 10kΩ,1/16W	R4082		NRSA6AJ-105W	MG RESISTOR 1MΩ,1/16W
R4012		NRSA6AJ-103W	MG RESISTOR 10kΩ,1/16W	R4083		NRSA02J-220X	MG RESISTOR 22Ω,1/10W
R4013		NRSA6AJ-103W	MG RESISTOR 10kΩ,1/16W	R4084		NRSA02J-220X	MG RESISTOR 22Ω,1/10W
R4014		NRSA6AJ-271W	MG RESISTOR 270Ω,1/16W	R4085		NRSA6AJ-102W	MG RESISTOR 1kΩ,1/16W
R4016		NRSA6AJ-103W	MG RESISTOR 10kΩ,1/16W	R4086		NRSA6AJ-0R0W	MG RESISTOR 0Ω,1/16W
R4017		NRSA6AJ-103W	MG RESISTOR 10kΩ,1/16W	R4093		NRSA6AJ-0R0W	MG RESISTOR 0Ω,1/16W
R4018		NRSA6AJ-103W	MG RESISTOR 10kΩ,1/16W	R4094		NRSA6AJ-0R0W	MG RESISTOR 0Ω,1/16W
R4019		NRSA6AJ-103W	MG RESISTOR 10kΩ,1/16W	R4095		NRSA6AJ-0R0W	MG RESISTOR 0Ω,1/16W
R4020		NRSA6AJ-103W	MG RESISTOR 10kΩ,1/16W	R4096		NRSA6AJ-0R0W	MG RESISTOR 0Ω,1/16W
R4021		NRSA6AJ-103W	MG RESISTOR 10kΩ,1/16W	R4097		NRSA6AJ-0R0W	MG RESISTOR 0Ω,1/16W
R4022		NRSA6AJ-103W	MG RESISTOR 10kΩ,1/16W	R4101		NRSA6AJ-0R0W	MG RESISTOR 0Ω,1/16W
R4023		NRSA6AJ-103W	MG RESISTOR 10kΩ,1/16W	R4102		NRSA6AJ-103W	MG RESISTOR 10kΩ,1/16W
R4024		NRSA6AJ-102W	MG RESISTOR 1kΩ,1/16W	R4103		NRSA6AJ-104W	MG RESISTOR 100kΩ,1/16W
R4025		NRSA6AJ-103W	MG RESISTOR 10kΩ,1/16W	R4104		NRSA6AJ-104W	MG RESISTOR 100kΩ,1/16W
R4026		NRSA6AJ-103W	MG RESISTOR 10kΩ,1/16W	R4105		NRSA6AJ-0R0W	MG RESISTOR 0Ω,1/16W
R4028		NRSA6AJ-103W	MG RESISTOR 10kΩ,1/16W	R4106		NRSA6AJ-105W	MG RESISTOR 1MΩ,1/16W
R4029		NRSA6AJ-103W	MG RESISTOR 10kΩ,1/16W	R4107		NRSA6AJ-0R0W	MG RESISTOR 0Ω,1/16W
R4030		NRSA6AJ-103W	MG RESISTOR 10kΩ,1/16W	R4108		NRSA6AJ-0R0W	MG RESISTOR 0Ω,1/16W
R4031		NRSA6AJ-103W	MG RESISTOR 10kΩ,1/16W	R4184		NRSA6AJ-471W	MG RESISTOR 470Ω,1/16W
R4032		NRSA6AJ-0R0W	MG RESISTOR 0Ω,1/16W	R4185		NRSA6AJ-0R0W	MG RESISTOR 0Ω,1/16W
R4034		NRSA6AJ-0R0W	MG RESISTOR 0Ω,1/16W	R4501		NRSA6AJ-0R0W	MG RESISTOR 0Ω,1/16W
R4035		NRSA6AJ-103W	MG RESISTOR 10kΩ,1/16W	R5001		NRSA6AD-123W	MG RESISTOR 12kΩ,1/16W
R4036		NRSA6AJ-222W	MG RESISTOR 2.2kΩ,1/16W	R5002		NRSA6AD-123W	MG RESISTOR 12kΩ,1/16W
R4037		NRSA6AJ-104W	MG RESISTOR 100kΩ,1/16W	R5003		NRSA6AD-153W	MG RESISTOR 15kΩ,1/16W
R4038		NRSA6AJ-0R0W	MG RESISTOR 0Ω,1/16W	R5004		NRSA6AD-123W	MG RESISTOR 12kΩ,1/16W
R4039		NRSA6AJ-0R0W	MG RESISTOR 0Ω,1/16W	R5005		NRSA6AD-153W	MG RESISTOR 15kΩ,1/16W
R4040		NRSA6AJ-0R0W	MG RESISTOR 0Ω,1/16W	R5006		NRSA6AD-123W	MG RESISTOR 12kΩ,1/16W
R4041		NRSA6AJ-0R0W	MG RESISTOR 0Ω,1/16W	R5007		NRSA6AJ-0R0W	MG RESISTOR 0Ω,1/16W
R4042		NRSA6AJ-0R0W	MG RESISTOR 0Ω,1/16W	R5008		NRSA6AJ-0R0W	MG RESISTOR 0Ω,1/16W
R4043		NRSA6AJ-0R0W	MG RESISTOR 0Ω,1/16W	R5009		NRSA6AJ-102W	MG RESISTOR 1kΩ,1/16W
R4044		NRSA6AJ-473W	MG RESISTOR 47kΩ,1/16W	R5010		NRSA6AJ-0R0W	MG RESISTOR 0Ω,1/16W
R4046		NRSA6AJ-103W	MG RESISTOR 10kΩ,1/16W	R5013		NRSA6AJ-0R0W	MG RESISTOR 0Ω,1/16W
R4047		NRSA6AJ-103W	MG RESISTOR 10kΩ,1/16W	R5014		NRSA6AJ-0R0W	MG RESISTOR 0Ω,1/16W
R4048		NRSA6AJ-103W	MG RESISTOR 10kΩ,1/16W	R5015		NRSA6AJ-0R0W	MG RESISTOR 0Ω,1/16W
R4049		NRSA6AJ-103W	MG RESISTOR 10kΩ,1/16W	R5016		NRSA6AJ-0R0W	MG RESISTOR 0Ω,1/16W
R4050		NRSA6AJ-103W	MG RESISTOR 10kΩ,1/16W	R5017		NRSA6AJ-0R0W	MG RESISTOR 0Ω,1/16W
R4051		NRSA6AJ-0R0W	MG RESISTOR 0Ω,1/16W	R5018		NRSA6AD-392W	MG RESISTOR 3.9kΩ,1/16W
R4052		NRSA6AJ-473W	MG RESISTOR 47kΩ,1/16W	R5019		NRSA6AD-272W	MG RESISTOR 2.7kΩ,1/16W
R4055		NRSA6AJ-103W	MG RESISTOR 10kΩ,1/16W	R5020		NRSA6AD-272W	MG RESISTOR 2.7kΩ,1/16W
R4056		NRSA6AJ-103W	MG RESISTOR 10kΩ,1/16W	R5040		NRSA6AJ-0R0W	MG RESISTOR 0Ω,1/16W
R4057		NRSA6AJ-104W	MG RESISTOR 100kΩ,1/16W	R5041		NRSA6AJ-0R0W	MG RESISTOR 0Ω,1/16W
R4058		NRSA6AJ-103W	MG RESISTOR 10kΩ,1/16W	R5042		NRSA6AJ-102W	MG RESISTOR 1kΩ,1/16W
R4059		NRSA6AJ-823W	MG RESISTOR 82kΩ,1/16W	R5044		NRSA6AJ-0R0W	MG RESISTOR 0Ω,1/16W
R4060		NRSA6AJ-562W	MG RESISTOR 5.6kΩ,1/16W	R5046		NRSA6AJ-563W	MG RESISTOR 56kΩ,1/16W
R4061		NRSA6AJ-473W	MG RESISTOR 47kΩ,1/16W	R5047		NRSA6AJ-0R0W	MG RESISTOR 0Ω,1/16W
△ R4062		NRSA6AJ-102W	MG RESISTOR 1kΩ,1/16W	R5048		NRSA6AJ-563W	MG RESISTOR 56kΩ,1/16W
△ R4063		NRSA6AJ-331W	MG RESISTOR 330Ω,1/16W	R5049		NRSA6AJ-0R0W	MG RESISTOR 0Ω,1/16W
R4064		NRSA6AJ-103W	MG RESISTOR 10kΩ,1/16W	R5050		NRSA6AJ-563W	MG RESISTOR 56kΩ,1/16W
R4065		NRSA6AJ-103W	MG RESISTOR 10kΩ,1/16W	R5051		NRSA6AJ-0R0W	MG RESISTOR 0Ω,1/16W
R4066		NRSA6AJ-103W	MG RESISTOR 10kΩ,1/16W	R5052		NRSA6AJ-272W	MG RESISTOR 2.7kΩ,1/16W
R4067		NRSA6AJ-0R0W	MG RESISTOR 0Ω,1/16W	R5053		NRSA6AJ-0R0W	MG RESISTOR 0Ω,1/16W
R4071		NRSA6AJ-103W	MG RESISTOR 10kΩ,1/16W	R5054		NRSA6AJ-0R0W	MG RESISTOR 0Ω,1/16W
R4072		NRSA6AJ-470W	MG RESISTOR 47Ω,1/16W	R5055		NRSA6AJ-0R0W	MG RESISTOR 0Ω,1/16W
R4073		NRSA6AJ-0R0W	MG RESISTOR 0Ω,1/16W	R5056		NRSA6AJ-0R0W	MG RESISTOR 0Ω,1/16W
R4074		NRSA6AJ-0R0W	MG RESISTOR 0Ω,1/16W	R5060		NRSA6AJ-0R0W	MG RESISTOR 0Ω,1/16W
R4075		NRSA6AJ-103W	MG RESISTOR 10kΩ,1/16W	R5064		NRSA6AJ-0R0W	MG RESISTOR 0Ω,1/16W
R4076		NRSA6AJ-103W	MG RESISTOR 10kΩ,1/16W	R5067		NRSA6AJ-0R0W	MG RESISTOR 0Ω,1/16W
R4078		NRSA6AJ-220W	MG RESISTOR 22Ω,1/16W	R5092		NRSA6AJ-0R0W	MG RESISTOR 0Ω,1/16W
R4079		NRSA6AJ-220W	MG RESISTOR 22Ω,1/16W	R5094		NRSA6AJ-0R0W	MG RESISTOR 0Ω,1/16W
R4080		NRSA6AJ-152W	MG RESISTOR 1.5kΩ,1/16W	R5095		NRSA6AJ-0R0W	MG RESISTOR 0Ω,1/16W

#	△	REF No.	PART No.	PART NAME, DESCRIPTION	#	△	REF No.	PART No.	PART NAME, DESCRIPTION	
R5096			NRSA6AJ-0R0W	MG RESISTOR	0Ω,1/16W	RA5028		NRZ0034-0R0W	NET RESISTOR	
R5097			NRSA6AJ-0R0W	MG RESISTOR	0Ω,1/16W	RA5029		NRZ0034-0R0W	NET RESISTOR	
R5098			NRSA6AJ-0R0W	MG RESISTOR	0Ω,1/16W	C402		NBE90JM-106X	T CAPACITOR	10μF,6.3V
R5154			NRSA6AJ-0R0W	MG RESISTOR	0Ω,1/16W	C403		NCFA1AZ-104W	CAPACITOR	0.1μF,10V
R5155			NRSA6AJ-0R0W	MG RESISTOR	0Ω,1/16W	C410		NCBA1CK-103W	CAPACITOR	0.01μF,16V
R5158			NRSA6AJ-0R0W	MG RESISTOR	0Ω,1/16W	C411		NCFA1AZ-104W	CAPACITOR	0.1μF,10V
R5159			NRSA6AJ-472W	MG RESISTOR	4.7kΩ,1/16W	C414		NCFA1AZ-104W	CAPACITOR	0.1μF,10V
R5160			NRSA6AJ-0R0W	MG RESISTOR	0Ω,1/16W	C416		NCFA1AZ-104W	CAPACITOR	0.1μF,10V
R5268			NRSA6AJ-0R0W	MG RESISTOR	0Ω,1/16W	C418		NCB21AK-105X	CAPACITOR	1μF,10V
R5501			NRSA6AJ-473W	MG RESISTOR	47kΩ,1/16W	C419		NCB21AK-105X	CAPACITOR	1μF,10V
R5502			NRSA6AJ-563W	MG RESISTOR	56kΩ,1/16W	C421		NCBA1CK-103W	CAPACITOR	0.01μF,16V
R5503			NRSA6AJ-103W	MG RESISTOR	10kΩ,1/16W	C425		NCFA1AZ-104W	CAPACITOR	0.1μF,10V
R5506			NRSA6AJ-0R0W	MG RESISTOR	0Ω,1/16W	C501		NBE90JM-106X	T CAPACITOR	10μF,6.3V
R5510			NRSA6AJ-473W	MG RESISTOR	47kΩ,1/16W	C502		NCFA1AZ-104W	CAPACITOR	0.1μF,10V
R5511			NRSA6AJ-0R0W	MG RESISTOR	0Ω,1/16W	C503		NBE21AM-106X	T CAPACITOR	10μF,10V
R5513			NRSA6AJ-0R0W	MG RESISTOR	0Ω,1/16W	C504		NCFA1AZ-104W	CAPACITOR	0.1μF,10V
R5514			NRSA6AJ-0R0W	MG RESISTOR	0Ω,1/16W	C505		NBE21AM-106X	T CAPACITOR	10μF,10V
R5515			NRSA6AJ-0R0W	MG RESISTOR	0Ω,1/16W	C506		NCFA1AZ-104W	CAPACITOR	0.1μF,10V
R5516			NRSA6AJ-102W	MG RESISTOR	1kΩ,1/16W	C509		NCFA1AZ-104W	CAPACITOR	0.1μF,10V
R5517			NRSA6AJ-473W	MG RESISTOR	47kΩ,1/16W	C510		NCFA1AZ-104W	CAPACITOR	0.1μF,10V
R5520			NRSA6AJ-563W	MG RESISTOR	56kΩ,1/16W	C511		NCFA1AZ-104W	CAPACITOR	0.1μF,10V
R5521			NRSA6AJ-0R0W	MG RESISTOR	0Ω,1/16W	C512		NCFA1AZ-104W	CAPACITOR	0.1μF,10V
R5523			NRSA6AD-471W	MG RESISTOR	470Ω,1/16W	C2001		NCFA1AZ-104W	CAPACITOR	0.1μF,10V
R5524			NRSA6AJ-681W	MG RESISTOR	680Ω,1/16W	C2002		NCFA1AZ-104W	CAPACITOR	0.1μF,10V
R5525			NRSA6AJ-122W	MG RESISTOR	1.2kΩ,1/16W	C2003		NCFA1AZ-104W	CAPACITOR	0.1μF,10V
R5526			NRSA6AD-392W	MG RESISTOR	3.9kΩ,1/16W	C2004		NCFA1AZ-104W	CAPACITOR	0.1μF,10V
R5527			NRSA6AJ-0R0W	MG RESISTOR	0Ω,1/16W	C2005		NCFA1AZ-104W	CAPACITOR	0.1μF,10V
R5528			NRSA6AD-101W	MG RESISTOR	100Ω,1/16W	C2006		NBE90JM-106X	T CAPACITOR	10μF,6.3V
R5529			NRSA6AD-472W	MG RESISTOR	4.7kΩ,1/16W	C2007		NCFA1AZ-104W	CAPACITOR	0.1μF,10V
R5530			NRSA6AD-130W	MG RESISTOR	13Ω,1/16W	C2008		NCFA1AZ-104W	CAPACITOR	0.1μF,10V
R5531			NRSA6AD-131W	MG RESISTOR	130Ω,1/16W	C2009		NCFA1AZ-104W	CAPACITOR	0.1μF,10V
R5532			NRSA6AJ-222W	MG RESISTOR	2.2kΩ,1/16W	C2010		NCFA1AZ-104W	CAPACITOR	0.1μF,10V
R5533			NRSA6AD-470W	MG RESISTOR	47Ω,1/16W	C2011		NCB21CK-473X	CAPACITOR	0.047μF,16V
R5534			NRVA6AD-101W	CMF RESISTOR	100Ω,1/16W	C2012		NCBA1CK-223W	CAPACITOR	0.022μF,16V
R5535			NRSA6AJ-222W	MG RESISTOR	2.2kΩ,1/16W	C2013		NCB21CK-105X	CAPACITOR	1μF,16V
R5537			NRSA6AJ-473W	MG RESISTOR	47kΩ,1/16W	C2017		NBE90JM-106X	T CAPACITOR	10μF,6.3V
R5538			NRSA6AJ-0R0W	MG RESISTOR	0Ω,1/16W	C2501		NBE40JM-476X	T CAPACITOR	47μF,6.3V
R5539			NRSA6AJ-0R0W	MG RESISTOR	0Ω,1/16W	C2503		NCBA1HK-102W	CAPACITOR	0.001μF,50V
R5540			NRSA6AJ-0R0W	MG RESISTOR	0Ω,1/16W	C2504		NDCA1HJ-121W	CAPACITOR	120pF,50V
R5542			NRSA6AJ-0R0W	MG RESISTOR	0Ω,1/16W	C2505		NCB31CK-104X	CAPACITOR	0.1μF,16V
R5543			NRSA6AJ-0R0W	MG RESISTOR	0Ω,1/16W	C2506		NDCA1HJ-151W	CAPACITOR	150pF,50V
R5544			NRSA6AJ-473W	MG RESISTOR	47kΩ,1/16W	C2507		NBE90JM-475X	T CAPACITOR	4.7μF,6.3V
R5548			NRSA6AJ-0R0W	MG RESISTOR	0Ω,1/16W	C2508		NCB31CK-104X	CAPACITOR	0.1μF,16V
R5550			NRSA6AJ-0R0W	MG RESISTOR	0Ω,1/16W	C2509		NBE90JM-106X	T CAPACITOR	10μF,6.3V
R6603			NRSA63J-822X	MG RESISTOR	8.2kΩ,1/16W	C2510		NBE40JM-476X	T CAPACITOR	47μF,6.3V
R6609			NRSA63J-683X	MG RESISTOR	68kΩ,1/16W	C2601		NCB31CK-104X	CAPACITOR	0.1μF,16V
R6610			NRSA63J-104X	MG RESISTOR	100kΩ,1/16W	C2602		NCB31CK-104X	CAPACITOR	0.1μF,16V
R6612			NRSA63J-333X	MG RESISTOR	33kΩ,1/16W	C2603		NCBA1HK-222W	CAPACITOR	0.0022μF,50V
R6613			NRSA63J-335X	MG RESISTOR	3.3MΩ,1/16W	C2604		NCBA1HK-222W	CAPACITOR	0.0022μF,50V
R6617			NRSA63J-684X	MG RESISTOR	680kΩ,1/16W	C2605		NBE90JM-106X	T CAPACITOR	10μF,6.3V
R6621			NRSA63J-184X	MG RESISTOR	180kΩ,1/16W	C2606		NCB31CK-104X	CAPACITOR	0.1μF,16V
R6622			NRSA63J-823X	MG RESISTOR	82kΩ,1/16W	C2607		NCB31CK-104X	CAPACITOR	0.1μF,16V
R6623			NRSA63J-473X	MG RESISTOR	47kΩ,1/16W	C2608		NBE90JM-106X	T CAPACITOR	10μF,6.3V
R6625			NRSA63J-473X	MG RESISTOR	47kΩ,1/16W	C3001		NCFA1AZ-104W	CAPACITOR	0.1μF,10V
R6626			NRSA63J-474X	MG RESISTOR	470kΩ,1/16W	C3002		NCFA1AZ-104W	CAPACITOR	0.1μF,10V
RA2001			NRZ0034-100W	NET RESISTOR		C3003		NCFA1AZ-104W	CAPACITOR	0.1μF,10V
RA2002			NRZ0034-100W	NET RESISTOR		C3004		NCFA1AZ-104W	CAPACITOR	0.1μF,10V
RA5024			NRZ0034-0R0W	NET RESISTOR		C3005		NCFA1AZ-104W	CAPACITOR	0.1μF,10V
RA5025			NRZ0034-0R0W	NET RESISTOR		C3006		NCFA1AZ-104W	CAPACITOR	0.1μF,10V
RA5026			NRZ0034-0R0W	NET RESISTOR		C3007		NCFA1AZ-104W	CAPACITOR	0.1μF,10V
RA5027			NRZ0034-0R0W	NET RESISTOR		C3008		NCFA1AZ-104W	CAPACITOR	0.1μF,10V

#	△ REF No.	PART No.	PART NAME, DESCRIPTION	#	△ REF No.	PART No.	PART NAME, DESCRIPTION
C3009		NCFA1AZ-104W	CAPACITOR 0.1μF,10V	C4027		NCBA1AK-473W	CAPACITOR 0.047μF,10V
C3010		NCFA1AZ-104W	CAPACITOR 0.1μF,10V	C4028		NCFA1AZ-104W	CAPACITOR 0.1μF,10V
C3011		NCFA1AZ-104W	CAPACITOR 0.1μF,10V	C4029		NCFA1AZ-104W	CAPACITOR 0.1μF,10V
C3012		NCFA1AZ-104W	CAPACITOR 0.1μF,10V	C4030		NBE21AM-106X	T CAPACITOR 10μF,10V
C3013		NCFA1AZ-104W	CAPACITOR 0.1μF,10V	C4101		NCFA1AZ-104W	CAPACITOR 0.1μF,10V
C3014		NCFA1AZ-104W	CAPACITOR 0.1μF,10V	C4102		NCFA1AZ-104W	CAPACITOR 0.1μF,10V
C3015		NCFA1AZ-104W	CAPACITOR 0.1μF,10V	C4103		NCBA1CK-103W	CAPACITOR 0.01μF,16V
C3016		NCFA1AZ-104W	CAPACITOR 0.1μF,10V	C4501		NBE90JM-106X	T CAPACITOR 10μF,6.3V
C3017		NCFA1AZ-104W	CAPACITOR 0.1μF,10V	C4502		NCFA1AZ-104W	CAPACITOR 0.1μF,10V
C3018		NCFA1AZ-104W	CAPACITOR 0.1μF,10V	C4503		NCFA1AZ-104W	CAPACITOR 0.1μF,10V
C3019		NCFA1AZ-104W	CAPACITOR 0.1μF,10V	C4504		NCFA1AZ-104W	CAPACITOR 0.1μF,10V
C3020		NCFA1AZ-104W	CAPACITOR 0.1μF,10V	C4505		NCFA1AZ-104W	CAPACITOR 0.1μF,10V
C3021		NCFA1AZ-104W	CAPACITOR 0.1μF,10V	C4506		NCFA1AZ-104W	CAPACITOR 0.1μF,10V
C3022		NCFA1AZ-104W	CAPACITOR 0.1μF,10V	C4507		NCFA1AZ-104W	CAPACITOR 0.1μF,10V
C3023		NCFA1AZ-104W	CAPACITOR 0.1μF,10V	C4508		NCFA1AZ-104W	CAPACITOR 0.1μF,10V
C3024		NCFA1AZ-104W	CAPACITOR 0.1μF,10V	C4509		NCFA1AZ-104W	CAPACITOR 0.1μF,10V
C3025		NCFA1AZ-104W	CAPACITOR 0.1μF,10V	C4511		NBE90JM-106X	T CAPACITOR 10μF,6.3V
C3026		NBE90JM-106X	T CAPACITOR 10μF,6.3V	C5001		NBE90JM-106X	T CAPACITOR 10μF,6.3V
C3027		NCFA1AZ-104W	CAPACITOR 0.1μF,10V	C5002		NCFA1AZ-104W	CAPACITOR 0.1μF,10V
C3028		NCFA1AZ-104W	CAPACITOR 0.1μF,10V	C5003		NBE90JM-106X	T CAPACITOR 10μF,6.3V
C3029		NBE90JM-106X	T CAPACITOR 10μF,6.3V	C5004		NCFA1AZ-104W	CAPACITOR 0.1μF,10V
C3030		NCFA1AZ-104W	CAPACITOR 0.1μF,10V	C5005		NBE90JM-106X	T CAPACITOR 10μF,6.3V
C3031		NCFA1AZ-104W	CAPACITOR 0.1μF,10V	C5006		NCFA1AZ-104W	CAPACITOR 0.1μF,10V
C3032		NCFA1AZ-104W	CAPACITOR 0.1μF,10V	C5007		NCFA1AZ-104W	CAPACITOR 0.1μF,10V
C3033		NCFA1AZ-104W	CAPACITOR 0.1μF,10V	C5013		NCFA1AZ-104W	CAPACITOR 0.1μF,10V
C3034		NCFA1AZ-104W	CAPACITOR 0.1μF,10V	C5014		NCFA1AZ-104W	CAPACITOR 0.1μF,10V
C3035		NCFA1AZ-104W	CAPACITOR 0.1μF,10V	C5015		NCFA1AZ-104W	CAPACITOR 0.1μF,10V
C3036		NCFA1AZ-104W	CAPACITOR 0.1μF,10V	C5016		NCFA1AZ-104W	CAPACITOR 0.1μF,10V
C3037		NCFA1AZ-104W	CAPACITOR 0.1μF,10V	C5017		NCFA1AZ-104W	CAPACITOR 0.1μF,10V
C3038		NCFA1AZ-104W	CAPACITOR 0.1μF,10V	C5021		NBE90JM-106X	T CAPACITOR 10μF,6.3V
C3039		NCFA1AZ-104W	CAPACITOR 0.1μF,10V	C5022		NCFA1AZ-104W	CAPACITOR 0.1μF,10V
C3040		NCFA1AZ-104W	CAPACITOR 0.1μF,10V	C5023		NCFA1AZ-104W	CAPACITOR 0.1μF,10V
C3041		NCFA1AZ-104W	CAPACITOR 0.1μF,10V	C5501		NBE90JM-106X	T CAPACITOR 10μF,6.3V
C3042		NBE90JM-106X	T CAPACITOR 10μF,6.3V	C5502		NCFA1AZ-104W	CAPACITOR 0.1μF,10V
C3043		NBE90JM-106X	T CAPACITOR 10μF,6.3V	C5503		NDCA1HJ-100W	CAPACITOR 10pF,50V
C3044		NDCA1HJ-101W	CAPACITOR 100pF,50V	C5505		NCFA1AZ-104W	CAPACITOR 0.1μF,10V
C3047		NCB21CK-105X	CAPACITOR 1μF,16V	C5506		NCFA1AZ-104W	CAPACITOR 0.1μF,10V
C3501		NBE90JM-106X	T CAPACITOR 10μF,6.3V	C5511		NBE90JM-106X	T CAPACITOR 10μF,6.3V
C3502		NCFA1AZ-104W	CAPACITOR 0.1μF,10V	C5512		NCFA1AZ-104W	CAPACITOR 0.1μF,10V
C3503		NBE90JM-106X	T CAPACITOR 10μF,6.3V	C5513		NCFA1AZ-104W	CAPACITOR 0.1μF,10V
C3504		NCFA1AZ-104W	CAPACITOR 0.1μF,10V	C5514		NBE90JM-106X	T CAPACITOR 10μF,6.3V
C3511		NCFA1AZ-104W	CAPACITOR 0.1μF,10V	C5515		NBE90JM-106X	T CAPACITOR 10μF,6.3V
C3518		NCFA1AZ-104W	CAPACITOR 0.1μF,10V	C5516		NCFA1AZ-104W	CAPACITOR 0.1μF,10V
C3525		NCFA1AZ-104W	CAPACITOR 0.1μF,10V	C5517		NCFA1AZ-104W	CAPACITOR 0.1μF,10V
C3526		NBE90JM-106X	T CAPACITOR 10μF,6.3V	C5518		NBE90JM-106X	T CAPACITOR 10μF,6.3V
C3527		NBE90JM-106X	T CAPACITOR 10μF,6.3V	C5519		NCFA1AZ-104W	CAPACITOR 0.1μF,10V
C3528		NCFA1AZ-104W	CAPACITOR 0.1μF,10V	C5520		NCBA1CK-103W	CAPACITOR 0.01μF,16V
C3529		NCFA1AZ-104W	CAPACITOR 0.1μF,10V	C5521		NCBA1CK-103W	CAPACITOR 0.01μF,16V
C3530		NCFA1AZ-104W	CAPACITOR,QX5HDU 0.1μF,10V	C5522		NCBA1CK-103W	CAPACITOR 0.01μF,16V
C4001		NCBA1CK-103W	CAPACITOR 0.01μF,16V	C5523		NCBA1CK-103W	CAPACITOR 0.01μF,16V
C4002		NCBA1CK-103W	CAPACITOR 0.01μF,16V	C5524		NCBA1CK-103W	CAPACITOR 0.01μF,16V
C4003		NBE90JM-106X	T CAPACITOR 10μF,6.3V	C5525		NCBA1CK-103W	CAPACITOR 0.01μF,16V
C4011		NCBA1CK-103W	CAPACITOR 0.01μF,16V	C5526		NCBA1CK-103W	CAPACITOR 0.01μF,16V
C4012		NDCA1HJ-100W	CAPACITOR 10pF,50V	C5527		NCBA1CK-103W	CAPACITOR 0.01μF,16V
C4013		NCBA1CK-103W	CAPACITOR 0.01μF,16V	C5528		NCBA1CK-103W	CAPACITOR 0.01μF,16V
C4015		NCBA1CK-103W	CAPACITOR 0.01μF,16V	C5529		NCBA1CK-103W	CAPACITOR 0.01μF,16V
C4016		NCBA1CK-103W	CAPACITOR 0.01μF,16V	C5530		NCBA1CK-103W	CAPACITOR 0.01μF,16V
C4017		NCFA1AZ-104W	CAPACITOR 0.1μF,10V	C5531		NCBA1CK-103W	CAPACITOR 0.01μF,16V
C4018		NCBA1CK-103W	CAPACITOR 0.01μF,16V	C5532		NCBA1CK-103W	CAPACITOR 0.01μF,16V
C4021		NBE90JM-106X	T CAPACITOR 10μF,6.3V	C5533		NCBA1CK-103W	CAPACITOR 0.01μF,16V
C4022		NCBA1CK-103W	CAPACITOR 0.01μF,16V	C5534		NCBA1CK-103W	CAPACITOR 0.01μF,16V



#	REF No.	PART No.	PART NAME, DESCRIPTION	#	REF No.	PART No.	PART NAME, DESCRIPTION	
C5535		NCBA1CK-103W	CAPACITOR	L3505		NRSA63J-0R0X	MG RESISTOR	0Ω,1/16W
C5536		NCBA1CK-103W	CAPACITOR	L3506		NRSA63J-0R0X	MG RESISTOR	0Ω,1/16W
C5537		NCBA1CK-103W	CAPACITOR	L3507		NRSA63J-0R0X	MG RESISTOR	0Ω,1/16W
C5538		NCBA1CK-103W	CAPACITOR	L4001		NQR0129-002X	FERRATE BEADS	
C5539		NCBA1CK-103W	CAPACITOR	L4002		NQR0129-002X	FERRATE BEADS	
C5540		NCBA1CK-103W	CAPACITOR	L4003		NQR0129-002X	FERRATE BEADS	
C5541		NCFA1AZ-104W	CAPACITOR	L4501		NQR0154-001X	FERRITE CORE	
C5542		NBE90JM-106X	T CAPACITOR	L4502		NQR0251-001X	FERRATE BEADS	
C5543		NCFA1AZ-104W	CAPACITOR	L4503		NRSA63J-0R0X	MG RESISTOR	0Ω,1/16W
C5544		NCFA1AZ-104W	CAPACITOR	L5001		NQR0154-001X	FERRITE CORE	
C5545		NCFA1AZ-104W	CAPACITOR	L5002		NRSA63J-0R0X	MG RESISTOR	0Ω,1/16W
C5546		NCFA1AZ-104W	CAPACITOR	L5003		NQR0129-002X	FERRATE BEADS	
C5547		NCFA1AZ-104W	CAPACITOR	L5004		NRSA63J-0R0X	MG RESISTOR	0Ω,1/16W
C5548		NCFA1AZ-104W	CAPACITOR	L5005		NQR0251-001X	FERRATE BEADS	
C5549		NCFA1AZ-104W	CAPACITOR	L5501		NQR0129-002X	FERRATE BEADS	
C5550		NCFA1AZ-104W	CAPACITOR	L5502		NQR0129-002X	FERRATE BEADS	
C5551		NCFA1AZ-104W	CAPACITOR	L5503		NQR0129-002X	FERRATE BEADS	
C5552		NCFA1AZ-104W	CAPACITOR	L5504		NQR0129-002X	FERRATE BEADS	
C5553		NCFA1AZ-104W	CAPACITOR	L5505		NQR0129-002X	FERRATE BEADS	
C5554		NCFA1AZ-104W	CAPACITOR	L5506		NQR0129-002X	FERRATE BEADS	
C5555		NCFA1AZ-104W	CAPACITOR	L5507		NQR0129-002X	FERRATE BEADS	
C5556		NCFA1AZ-104W	CAPACITOR	L6604		NQL315K-100X	COIL	10μH
C5557		NCFA1AZ-104W	CAPACITOR	X3001		NAX0302-001X	CXO	
C5558		NCFA1AZ-104W	CAPACITOR	X3002		NAX0391-001X	CXO	
C5559		NCFA1AZ-104W	CAPACITOR	X4002		NAX0390-001X	C OSCILLATOR	
C5560		NCFA1AZ-104W	CAPACITOR	X4003		NAX0399-001X	CRYSTAL RESONATOR	
C5561		NCFA1AZ-104W	CAPACITOR	X4004		NAX0398-001X	C OSCILLATOR	
C5562		NCFA1AZ-104W	CAPACITOR	CN501		QGF0503F2-22X	CONNECTOR,(1-22)OP	
C5563		NCFA1AZ-104W	CAPACITOR	CN502		QGA1001F1-02X	CONNECTOR,(1-2)PIXCEL	
C5564		NCFA1AZ-104W	CAPACITOR	CN2001		QGF0507F1-28X	CONNECTOR,(1-28)CCD	
C5566		NDCA1HJ-820W	CAPACITOR	CN2002		QGB0506L1-30X	CONNECTOR,(1-30)JIG	
C5571		NDCA1HJ-180W	CAPACITOR	CN2501		QGA1001F1-02X	CONNECTOR,(1-2)AUDIO	
C5572		NCB21CK-105X	CAPACITOR	CN3001		QGB0509M2-80X	CONNECTOR,(1-80)REG	
C5573		NBE90JM-106X	T CAPACITOR	CN3002		QGF0507F1-24X	CONNECTOR,(1-24)LCD	
C5574		NCFA1AZ-104W	CAPACITOR	CN3003		NNZ0033-001	SM CARD CONNECTOR	
C5575		NCFA1AZ-104W	CAPACITOR	CN4001		QGF0515F4-12X	CONNECTOR,(1-12)OPE	
C5576		NCFA1AZ-104W	CAPACITOR	CN5501		QGF0506F3-38X	CONNECTOR,(1-38)JACK	
C5577		NCB21CK-105X	CAPACITOR	CN6601		QGB0801K2-14X	CONNECTOR,(1-14)STROBE	
C6604		NBE90JM-106X	T CAPACITOR					
C6605		NCF31CZ-473X	CAPACITOR					
C6609		NCF31CZ-473X	CAPACITOR					
C6610		NDC31HJ-221X	CAPACITOR					
C6611		NDC31HJ-221X	CAPACITOR					
C6612		NCB31HK-102X	CAPACITOR					
C6613		NCB31EK-103X	CAPACITOR					
L401		NQL045K-100X	COIL	PW1		YB10300K1-02	CCD BOARD ASSEMBLY,QX3HDU	
L501		NQL045K-100X	COIL			YB10300U1-01	CCD BOARD ASSEMBLY,QX5HDU	
L502		NQL045K-100X	COIL	IC1002		CXD2497R	IC	
L503		NQL045K-100X	COIL	IC1003		S-814A33AMC-W	IC	
L2001		NQL045K-100X	COIL	IC1004		W194-70G-X	IC	
L2501		NRSA63J-0R0X	MG RESISTOR	Q1001		2SC4617/QRS/-X	TRANSISTOR	
L2502		NRSA63J-0R0X	MG RESISTOR	Q1003		2SC4617/QRS/-X	TRANSISTOR	
L2601		NQL045K-100X	COIL	D1001		1SS355	DIODE	
L3001		NQR0129-002X	FERRATE BEADS	R1001		NRSA6AJ-0R0W	MG RESISTOR	0Ω,1/16W
L3002		NQR0154-001X	FERRITE CORE	R1003		NRSA6AJ-472W	MG RESISTOR	4.7kΩ,1/16W
L3003		NQR0129-002X	FERRATE BEADS	R1005		NRSA6AJ-102W	MG RESISTOR	1kΩ,1/16W
L3004		NQR0129-002X	FERRATE BEADS	R1006		NRSA6AJ-272W	MG RESISTOR	2.7kΩ,1/16W
L3501		NQR0154-001X	FERRITE CORE	R1007		NRSA6AJ-104W	MG RESISTOR	100kΩ,1/16W
L3502		NQR0129-002X	FERRATE BEADS	R1008		NRSA6AJ-105W	MG RESISTOR	1MΩ,1/16W
L3503		NQR0154-001X	FERRITE CORE	R1009		NRSA6AJ-270W	MG RESISTOR	27Ω,1/16W
L3504		NQR0154-001X	FERRITE CORE,QX5HDU	R1010		NRSA6AJ-100W	MG RESISTOR	10Ω,1/16W
				R1011		NRSA6AJ-100W	MG RESISTOR	10Ω,1/16W

\*\*\*\*\*

**CCD BOARD ASSEMBLY <02>**

PW1	YB10300K1-02	CCD BOARD ASSEMBLY,QX3HDU	
	YB10300U1-01	CCD BOARD ASSEMBLY,QX5HDU	
IC1002	CXD2497R	IC	
IC1003	S-814A33AMC-W	IC	
IC1004	W194-70G-X	IC	
Q1001	2SC4617/QRS/-X	TRANSISTOR	
Q1003	2SC4617/QRS/-X	TRANSISTOR	
D1001	1SS355	DIODE	
R1001	NRSA6AJ-0R0W	MG RESISTOR	0Ω,1/16W
R1003	NRSA6AJ-472W	MG RESISTOR	4.7kΩ,1/16W
R1005	NRSA6AJ-102W	MG RESISTOR	1kΩ,1/16W
R1006	NRSA6AJ-272W	MG RESISTOR	2.7kΩ,1/16W
R1007	NRSA6AJ-104W	MG RESISTOR	100kΩ,1/16W
R1008	NRSA6AJ-105W	MG RESISTOR	1MΩ,1/16W
R1009	NRSA6AJ-270W	MG RESISTOR	27Ω,1/16W
R1010	NRSA6AJ-100W	MG RESISTOR	10Ω,1/16W
R1011	NRSA6AJ-100W	MG RESISTOR	10Ω,1/16W

#	REF No.	PART No.	PART NAME, DESCRIPTION
R1020		NRSA6AJ-102W	MG RESISTOR 1kΩ,1/16W
R1023		NRSA6AJ-0R0W	MG RESISTOR 0Ω,1/16W
R1025		NRSA6AJ-0R0W	MG RESISTOR 0Ω,1/16W
R1026		NRSA6AJ-0R0W	MG RESISTOR 0Ω,1/16W
R1028		NRSA6AJ-103W	MG RESISTOR 10kΩ,1/16W
R1030		NRSA6AJ-0R0W	MG RESISTOR 0Ω,1/16W
R1033		NRSA6AJ-220W	MG RESISTOR 22Ω,1/16W
R1034		NRSA6AJ-0R0W	MG RESISTOR 0Ω,1/16W
R1037		NRSA6AJ-0R0W	MG RESISTOR 0Ω,1/16W
R1038		NRSA6AJ-0R0W	MG RESISTOR 0Ω,1/16W
R9110		NRSA6AD-153W	MG RESISTOR 15kΩ,1/16W
R9111		NRSA6AD-472W	MG RESISTOR 4.7kΩ,1/16W
R9201		NRSA6AD-103W	MG RESISTOR 10kΩ,1/16W
R9218		NRSA6AD-153W	MG RESISTOR 15kΩ,1/16W
C1001		NBP41CM-106X	T CAPACITOR 10μF,16V
C1002		NCFA1AZ-104W	CAPACITOR 0.1μF,10V
C1003		NBP41VM-225X	T CAPACITOR 2.2μF,35V
C1004		NCFA1AZ-104W	CAPACITOR 0.1μF,10V
C1005		NBM90JM-106X	T CAPACITOR 10μF,6.3V
C1006		NCFA1AZ-104W	CAPACITOR 0.1μF,10V
C1007		NCFA1AZ-104W	CAPACITOR 0.1μF,10V
C1008		NBP41VM-225X	T CAPACITOR 2.2μF,35V
C1009		NCFA1AZ-104W	CAPACITOR 0.1μF,10V
C1010		NCB31HK-222X	CAPACITOR 0.0022μF,50V
C1011		NCFA1AZ-104W	CAPACITOR 0.1μF,10V
C1012		NCFA1AZ-104W	CAPACITOR 0.1μF,10V
C1013		NCFA1AZ-104W	CAPACITOR 0.1μF,10V
C1014		NCFA1AZ-104W	CAPACITOR 0.1μF,10V
C1015		NCFA1AZ-104W	CAPACITOR 0.1μF,10V
C1016		NCFA1AZ-104W	CAPACITOR 0.1μF,10V
C1017		NCFA1AZ-104W	CAPACITOR 0.1μF,10V
C1018		NCFA1AZ-104W	CAPACITOR 0.1μF,10V
C1019		NBP21EM-105X	T CAPACITOR 1μF,25V
C1020		NCFA1AZ-104W	CAPACITOR 0.1μF,10V
C1021		NBM90JM-106X	T CAPACITOR 10μF,6.3V
C1022		NBP41CM-106X	T CAPACITOR 10μF,16V
C1024		NCFA1AZ-104W	CAPACITOR 0.1μF,10V
C1027		NCFA1AZ-104W	CAPACITOR 0.1μF,10V
C1028		NBE90JM-106X	T CAPACITOR 10μF,6.3V
C1029		NCFA1AZ-104W	CAPACITOR 0.1μF,10V
L1001		NQR0129-002X	FERRITE BEADS
L1002		NQL045K-100X	COIL 10μH
L1003		NQR0129-002X	FERRITE BEADS
L1004		NQL045K-100X	COIL 10μH
L1005		NQR0129-002X	FERRITE BEADS
L1006		NQL045K-100X	COIL 10μH
L1008		NQL045K-100X	COIL 10μH
L1009		NQR0129-002X	FERRITE BEADS
CN1001		QGF0507F1-28X	CONNECTOR,(1-28)MAIN

#	REF No.	PART No.	PART NAME, DESCRIPTION
IC9101		FA3676F	IC
Q7301		DTC144EE	TRANSISTOR
Q7302		2SA1774/QR/-X	TRANSISTOR
Q7303		2SA1577/QR/-X	TRANSISTOR
Q7304		UMZ1N	PAIR TRANSISTOR
Q7305		UMZ1N	PAIR TRANSISTOR
Q9002		2SK1830	MOS FET
Q9003		RN1104FT	TRANSISTOR
Q9004		2SK1830	MOS FET
Q9005		2SJ501	MOS FET
Q9006		RN1104FT	TRANSISTOR
Q9201		CPH3303	MOS FET
Q9205		HN1A01FU/G/-X	PAIR TRANSISTOR
Q9206		2SC4097/QR/-X	TRANSISTOR
Q9207		CPH6301	MOS FET
Q9208		CPH6401	MOS FET
Q9301		CPH6303	MOS FET
Q9302		CPH6401	MOS FET
Q9303		CPH6303	MOS FET
Q9304		2SA1774/QR/-X	TRANSISTOR
Q9305		2SC4617/QR/-X	TRANSISTOR
Q9306		CPH6401	MOS FET
Q9307		RN1104FT	TRANSISTOR
Q9402		CPH6301	MOS FET
Q9404		CPH3303	MOS FET
D7301		UDZ2.7B	ZENER DIODE
D7302		MA365	VARI CAP DIODE
D9201		1SS357	SB DIODE
D9202		SBE002	SB DIODE
D9203		1SS357	SB DIODE
D9204		1SS357	SB DIODE
D9205		CRS06	SB DIODE
D9301		CRS06	SB DIODE
D9302		1SS355	DIODE
D9303		1SS355	DIODE
D9306		CRS06	SB DIODE
D9401		CRS06	SB DIODE
D9402		1SS357	SB DIODE
D9404		SBS006	SB DIODE
R7202		NRVA6AD-911W	CMF RESISTOR 910Ω,1/16W
R7203		NRVA6AD-183W	CMF RESISTOR 18kΩ,1/16W
R7204		NRVA6AD-222W	CMF RESISTOR 2.2kΩ,1/16W
R7205		NRSA6AJ-0R0W	MG RESISTOR 0Ω,1/16W
R7206		NRSA6AJ-0R0W	MG RESISTOR 0Ω,1/16W
R7301		NRSA6AJ-102W	MG RESISTOR 1kΩ,1/16W
R7302		NRVA6AD-333W	CMF RESISTOR 33kΩ,1/16W
R7303		NRSA6AJ-0R0W	MG RESISTOR 0Ω,1/16W
R7304		NRSA6AJ-0R0W	MG RESISTOR 0Ω,1/16W
R7305		NRSA6AJ-0R0W	MG RESISTOR 0Ω,1/16W
R7306		NRVA6AD-153W	CMF RESISTOR 15kΩ,1/16W
R7307		NRVA6AD-183W	CMF RESISTOR 18kΩ,1/16W
R7308		NRVA6AD-223W	CMF RESISTOR 22kΩ,1/16W
R7309		NRSA6AJ-100W	MG RESISTOR 10Ω,1/16W
R7310		NRSA6AJ-100W	MG RESISTOR 10Ω,1/16W
R7311		NRSA6AJ-100W	MG RESISTOR 10Ω,1/16W
R7312		NRSA6AJ-100W	MG RESISTOR 10Ω,1/16W
R7313		NRSA6AJ-271W	MG RESISTOR 270Ω,1/16W
R7315		NRSA6AJ-0R0W	MG RESISTOR 0Ω,1/16W
R7316		NRSA6AJ-0R0W	MG RESISTOR 0Ω,1/16W
R7318		NRSA6AJ-223W	MG RESISTOR 22kΩ,1/16W
R7319		NRSA6AJ-223W	MG RESISTOR 22kΩ,1/16W

\*\*\*\*\*

**MONI REG BOARD ASSEMBLY <03>**

PW4	YB10300K4-02	MON REG BOARD ASSEMBLY,QX3HDU
	YB10300U4-01	MON REG BOARD ASSEMBLY,QX5HDU
IC7202	TK11900M	IC
IC7301	TA75S01F	IC
IC7302	CXA3268AR-B	IC
IC9001	S-80824ANNP-W	IC

#	△	REF No.	PART No.	PART NAME, DESCRIPTION	#	△	REF No.	PART No.	PART NAME, DESCRIPTION
R7321			NRSA6AJ-103W	MG RESISTOR	R9306			NRVA6AD-123W	CMF RESISTOR
R7322			NRSA6AJ-102W	MG RESISTOR	R9308			NRSA6AJ-473W	MG RESISTOR
R7323			NRSA6AJ-103W	MG RESISTOR	R9309			NRSA6AJ-473W	MG RESISTOR
R7324			NRVA6AD-331W	CMF RESISTOR	R9310			NRSA6AJ-4R7W	MG RESISTOR
R7325			NRSA6AJ-333W	MG RESISTOR	R9311			NRVA6AD-393W	CMF RESISTOR
R7327			NRSA6AJ-0R0W	MG RESISTOR	R9312			NRVA6AD-103W	CMF RESISTOR
R7329			NRSA6AJ-0R0W	MG RESISTOR	R9315			NRSA6AJ-4R7W	MG RESISTOR
R7330			NRSA6AJ-103W	MG RESISTOR	R9316			NRSA6AJ-473W	MG RESISTOR
R7331			NRSA6AJ-472W	MG RESISTOR	R9401			NRSA6AJ-4R7W	MG RESISTOR
R7332			NRVA6AD-103W	CMF RESISTOR	R9402			NRVA6AD-223W	CMF RESISTOR
R7333			NRVA6AD-332W	CMF RESISTOR	R9403			NRVA6AD-103W	CMF RESISTOR
R7335			NRSA6AJ-472W	MG RESISTOR	R9405			NRSA6AJ-4R7W	MG RESISTOR
R7340			NRSA6AJ-274W	MG RESISTOR	R9408			NRSA6AJ-4R7W	MG RESISTOR
R7341			NRSA6AJ-104W	MG RESISTOR	R9409			NRVA6AD-203W	CMF RESISTOR
R7342			NRSA6AJ-104W	MG RESISTOR	R9410			NRVA6AD-103W	CMF RESISTOR
R7345			NRSA6AJ-224W	MG RESISTOR	C7203			NCB11CK-105X	CAPACITOR
R7346			NRSA6AJ-682W	MG RESISTOR	C7204			NCBA1CK-103W	CAPACITOR
R7347			NRSA6AJ-0R0W	MG RESISTOR	C7205			NBP41DM-106X	T CAPACITOR
R7348			NRSA6AJ-0R0W	MG RESISTOR	C7208			NBE20JM-106X	T CAPACITOR
R7350			NRSA6AJ-103W	MG RESISTOR	C7301			NBE20JM-106X	T CAPACITOR
R7358			NRSA6AJ-0R0W	MG RESISTOR	C7302			NBE20JM-226X	T CAPACITOR
R7359			NRSA63J-0R0X	MG RESISTOR	C7303			NCBA1AK-104W	CAPACITOR
R7361			NRSA6AJ-0R0W	MG RESISTOR	C7304			NCBA1CK-103W	CAPACITOR
R7362			NRSA6AJ-0R0W	MG RESISTOR	C7305			NCBA1CK-103W	CAPACITOR
R9001			NRVA6AD-302W	CMF RESISTOR	C7306			NCB21AK-105X	CAPACITOR
R9005			NRSA6AJ-104W	MG RESISTOR	C7307			NCB21AK-105X	CAPACITOR
R9006			NRSA6AJ-104W	MG RESISTOR	C7308			NCB21AK-105X	CAPACITOR
R9007			NRSA6AJ-104W	MG RESISTOR	C7309			NBP41CM-106X	T CAPACITOR
R9009			NRSA6AJ-104W	MG RESISTOR	C7310			NBP41DM-106X	T CAPACITOR
R9010			NRSA6AJ-102W	MG RESISTOR	C7311			NCB31CK-104X	CAPACITOR
R9011			NRSA6AJ-473W	MG RESISTOR	C7312			NCB21AK-105X	CAPACITOR
R9018			NRSA63J-0R0X	MG RESISTOR	C7313			NBP41DM-106X	T CAPACITOR
R9103			NRSA6AJ-104W	MG RESISTOR	C7314			NCB31CK-104X	CAPACITOR
R9104			NRSA6AJ-753W	MG RESISTOR	C7315			NBE20JM-226X	T CAPACITOR
R9105			NRSA6AJ-0R0W	MG RESISTOR	C7316			NCBA1AK-104W	CAPACITOR
R9107			NRSA6AJ-104W	MG RESISTOR	C7317			NCB30JK-105X	CAPACITOR
R9108			NRSA6AJ-223W	MG RESISTOR	C7318			NCBA1AK-104W	CAPACITOR
R9109			NRSA6AJ-223W	MG RESISTOR	C7319			NCBA1AK-104W	CAPACITOR
R9110			NRVA6AD-153W	CMF RESISTOR	C7320			NCBA1AK-104W	CAPACITOR
R9111			NRVA6AD-472W	CMF RESISTOR	C7321			NDC31HJ-300X	CAPACITOR
R9201			NRVA6AD-103W	CMF RESISTOR	C7322			NCB31HK-102X	CAPACITOR
R9202			NRSA6AJ-4R7W	MG RESISTOR	C7323			NCBA1CK-103W	CAPACITOR
R9203			NRVA6AD-623W	CMF RESISTOR	C7324			NCBA1EK-682W	CAPACITOR
R9204			NRVA6AD-272W	CMF RESISTOR	C7325			NBP21CM-335X	T CAPACITOR
R9205			NRVA6AD-392W	CMF RESISTOR	C7330			NBE20JM-226X	T CAPACITOR
R9206			NRVA6AD-683W	CMF RESISTOR	C7331			NCBA1AK-104W	CAPACITOR
R9207			NRSA6AJ-274W	MG RESISTOR	C7332			NCB21AK-105X	CAPACITOR
R9210			NRVA6AD-202W	CMF RESISTOR	C7335			NBE21AM-106X	T CAPACITOR
R9212			NRVA6AD-273W	CMF RESISTOR	C7336			NCB31CK-104X	CAPACITOR
R9213			NRSA6AJ-102W	MG RESISTOR	C7337			NCB21AK-105X	CAPACITOR
R9214			NRSA6AJ-241W	MG RESISTOR	C7338			NCB11CK-105X	CAPACITOR
R9215			NRSA63J-0R0X	MG RESISTOR	C7339			NCB31CK-104X	CAPACITOR
R9216			NRSA6AJ-4R7W	MG RESISTOR	C7345			NBP41DM-106X	T CAPACITOR
R9217			NRSA6AJ-4R7W	MG RESISTOR	C9002			NCB31EK-103X	CAPACITOR
R9218			NRVA6AD-153W	CMF RESISTOR	C9003			NCB31CK-104X	CAPACITOR
R9219			NRVA6AD-103W	CMF RESISTOR	C9101			NCB21CK-105X	CAPACITOR
R9301			NRSA6AJ-105W	MG RESISTOR	C9102			NBE41AM-106X	T CAPACITOR
R9302			NRSA6AJ-472W	MG RESISTOR	C9103			NCB21CK-105X	CAPACITOR
R9303			NRSA6AJ-473W	MG RESISTOR	C9104			NBE41AM-106X	T CAPACITOR
R9304			NRSA6AJ-185W	MG RESISTOR	C9105			NCB21CK-105X	CAPACITOR
R9305			NRVA6AD-623W	CMF RESISTOR	C9107			NCB21CK-105X	CAPACITOR

#	△ REF No.	PART No.	PART NAME, DESCRIPTION	#	△ REF No.	PART No.	PART NAME, DESCRIPTION
C9108		NCB31EK-103X	CAPACITOR 0.01μF,25V	L9201		NQL49CM-101X	COIL 100μH
C9109		NCB21CK-105X	CAPACITOR 1μF,16V	L9202		NQL044K-470X	COIL 47μH
C9110		NCB21CK-105X	CAPACITOR 1μF,16V	L9204		NQL49CM-220X	COIL 22μH
C9111		NCB31EK-473X	CAPACITOR 0.047μF,25V	L9301		NQL49CM-390X	COIL 39μH
C9112		NCB31CK-104X	CAPACITOR 0.1μF,16V	L9302		NQL32CM-100X	COIL 10μH
C9113		NCB31CK-104X	CAPACITOR 0.1μF,16V	L9303		NQL49CM-100X	COIL 10μH
C9114		NCB21CK-105X	CAPACITOR 1μF,16V	L9304		NQL32CM-100X	COIL 10μH
C9115		NCB21CK-105X	CAPACITOR 1μF,16V	L9305		NQL315K-100X	COIL 10μH
C9116		NDCA1HJ-101W	CAPACITOR 100pF,50V	L9401		NQL48CM-150X	COIL 15μH
C9117		NCBA1HK-332W	CAPACITOR 0.0033μF,50V	L9402		NQL32CM-220X	COIL 22μH
C9119		NCBA1EK-682W	CAPACITOR 0.0068μF,25V	L9403		NQL32CM-100X	COIL 10μH
C9120		NCBA1EK-682W	CAPACITOR 0.0068μF,25V	L9404		NQL32CM-101X	COIL 100μH
C9121		NCB31EK-103X	CAPACITOR 0.01μF,25V	L9405		NQL32CM-101X	COIL 100μH
C9122		NCBA1EK-682W	CAPACITOR 0.0068μF,25V	L9406		NQL315K-100X	COIL 10μH
C9123		NCBA1EK-682W	CAPACITOR 0.0068μF,25V	L9407		NQL315K-100X	COIL 10μH
C9201		NCB21CK-105X	CAPACITOR 1μF,16V	J9001		QUB220-09A3A3	WIRE,JACK TP2
C9202		NCB21CK-105X	CAPACITOR 1μF,16V	J9002		QUB222-09A3A3	WIRE,JACK TP1
C9203		NCB21CK-105X	CAPACITOR 1μF,16V	CN9001		QGB0509L1-80X	CONNECTOR,(1-80)MAIN
C9204		NCBA1HK-152W	CAPACITOR 0.0015μF,50V	△ F9001		NMFZ010-1R0X-A	FUSE 1.0A
C9205		NCB21CK-105X	CAPACITOR 1μF,16V	△ F9101		NMFZ010-2R0X-A	FUSE 2.0A
C9208		NCB11EK-105X	CAPACITOR 1μF,25V	△ F9102		NMFZ010-2R0X-A	FUSE 2.0A
C9209		NCB21CK-105X	CAPACITOR 1μF,16V	△ F9103		NMFZ010-1R6X-A	FUSE 1.6A
C9210		NCB21CK-105X	CAPACITOR 1μF,16V	OT1		LY42505-001A	SEELD SHEET(REG)
C9213		NCB21CK-105X	CAPACITOR 1μF,16V				
C9214		NCB10JK-106X	CAPACITOR 10μF,6.3V				
C9215		NCBA1HK-222W	CAPACITOR 0.0022μF,50V				
C9216		NCB11CK-475X	CAPACITOR 4.7μF,16V				
C9301		NCB21CK-105X	CAPACITOR 1μF,16V				
C9302		NDCA1HJ-330W	CAPACITOR 33pF,50V				
C9303		NDCA1HJ-330W	CAPACITOR 33pF,50V				
C9304		NCB11AK-475X	CAPACITOR 4.7μF,10V				
C9305		NCBA1EK-472W	CAPACITOR 0.0047μF,25V	PW2		YB10300K2-02	JACK BOARD ASSEMBLY,QX3HDU
C9307		NCB21CK-105X	CAPACITOR 1μF,16V			YB10300U2-01	JACK BOARD ASSEMBLY,QX5HDU
C9308		NBE41AM-476X	T CAPACITOR 47μF,10V	IC101		TC7W53FU	IC(DIGITAL)
C9309		NBE41AM-476X	T CAPACITOR 47μF,10V	IC102		TC7WH34FK	IC
C9310		NCB21CK-105X	CAPACITOR 1μF,16V	IC901		TC7W74FK	IC
C9311		NCB10JK-106X	CAPACITOR 10μF,6.3V	Q101		2SA1774/QR/-X	TRANSISTOR
C9312		NCBA1HK-102W	CAPACITOR 0.001μF,50V	Q103		HN1C01FU/G/-X	PAIR TRANSISTOR
C9314		NCB11AK-225X-A	CAPACITOR 2.2μF,10V	Q104		HN1A01FU/G/-X	PAIR TRANSISTOR
C9315		NCB21CK-105X	CAPACITOR 1μF,16V	Q105		HN1C01FU/G/-X	PAIR TRANSISTOR
C9316		NBE41AM-476X	T CAPACITOR 47μF,10V	Q106		HN1A01FU/G/-X	PAIR TRANSISTOR
C9401		NCB21CK-105X	CAPACITOR 1μF,16V	Q107		HN1C01FU/G/-X	PAIR TRANSISTOR
C9402		NCB11AK-475X	CAPACITOR 4.7μF,10V	Q108		HN1A01FU/G/-X	PAIR TRANSISTOR
C9403		NCB10JK-106X	CAPACITOR 10μF,6.3V	Q901		HN1C01FU/G/-X	PAIR TRANSISTOR
C9404		NCBA1HK-102W	CAPACITOR 0.001μF,50V	Q902		HN1C01FU/G/-X	PAIR TRANSISTOR
C9406		NCB21CK-105X	CAPACITOR 1μF,16V	Q903		DTA144EE	TRANSISTOR
C9407		NCB21CK-105X	CAPACITOR 1μF,16V	Q7101		2SC3647/ST/-X	POW TRANSISTOR
C9408		NCB21CK-105X	CAPACITOR 1μF,16V	Q7102		2SC3647/ST/-X	POW TRANSISTOR
C9409		NCB21CK-105X	CAPACITOR 1μF,16V	Q7103		DTA144EE	TRANSISTOR
C9410		NCB11AK-225X-A	CAPACITOR 2.2μF,10V	Q7104		2SC4617/QR/-X	TRANSISTOR
C9411		NCB11AK-335X	CAPACITOR 3.3μF,10V	Q7105		2SC4617/QR/-X	TRANSISTOR
C9412		NCBA1HK-332W	CAPACITOR 0.0033μF,50V	Q7106		2SC4617/QR/-X	TRANSISTOR
C9414		NCB21CK-105X	CAPACITOR 1μF,16V	R101		NRSA6AJ-103W	MG RESISTOR 10kΩ,1/16W
C9416		NBE41AM-476X	T CAPACITOR 47μF,10V	R102		NRSA6AJ-105W	MG RESISTOR 1MΩ,1/16W
L7203		NQL144K-100X	COIL 10μH	R103		NRSA6AJ-105W	MG RESISTOR 1MΩ,1/16W
L7204		NQL144K-100X	COIL 10μH	R107		NRSA6AJ-182W	MG RESISTOR 1.8kΩ,1/16W
L7301		NQL085J-3R3X	COIL 3.3μH	R108		NRSA6AJ-182W	MG RESISTOR 1.8kΩ,1/16W
L7302		NQL144K-220X	COIL 22μH	R109		NRSA63J-680X	MG RESISTOR 68Ω,1/16W
L9101		NQL48CM-4R7X	COIL 4.7μH	R110		NRSA6AJ-105W	MG RESISTOR 1MΩ,1/16W
L9102		NQL48CM-4R7X	COIL 4.7μH	R111		NRSA6AJ-182W	MG RESISTOR 1.8kΩ,1/16W
L9103		NQL48CM-100X	COIL 10μH	R112		NRSA6AJ-182W	MG RESISTOR 1.8kΩ,1/16W
				R113		NRSA63J-680X	MG RESISTOR 68Ω,1/16W

\*\*\*\*\*

**JACK BOARD ASSEMBLY <04>**



